

Enware-Oras Safira Basin Mixer

SAF606

The stylish Safira range of mixers are designed for the rigours of daily use in hospitals and health care as well as high use public spaces in washrooms and food preparation.

FEATURES

- Durable Oras single lever mixer cartridge with brass spindle for durability
- Metal handle with hot/cold or warm/cold indicators
- Longer spout to avoid direct discharge to basin waste
- Higher set to help enable thorough hand washing
- Oras 3S fixing system for a more efficient installation
- Available with extended handle for accessible installations
- Inlet filter adaptor
- 15-year warranty **
- Range of service parts available
- Neoperl soft PEX braided ss hoses
- Supplied with standard 3 star/ 5 star aerator
- 5 star laminar flow option available (MK5LF)

** See Enware website for details



Product Codes

SAF606-RB	Safira Basin Mixer with Red / Blue Indicator - WELS 3 Star / 5 Star
SAF606-YB	Safira Basin Mixer with Yellow / Blue Indicator - WELS 3 Star / 5 Star
SAF606D-RB	Safira Basin Mixer with Extended Lever Handle with Red / Blue Indicator - WELS 3 Star / 5 Star
SAF606D-YB	Safira Basin Mixer with Extended Lever Handle with Yellow / Blue Indicator - WELS 3 Star / 5 Star



Technical Information

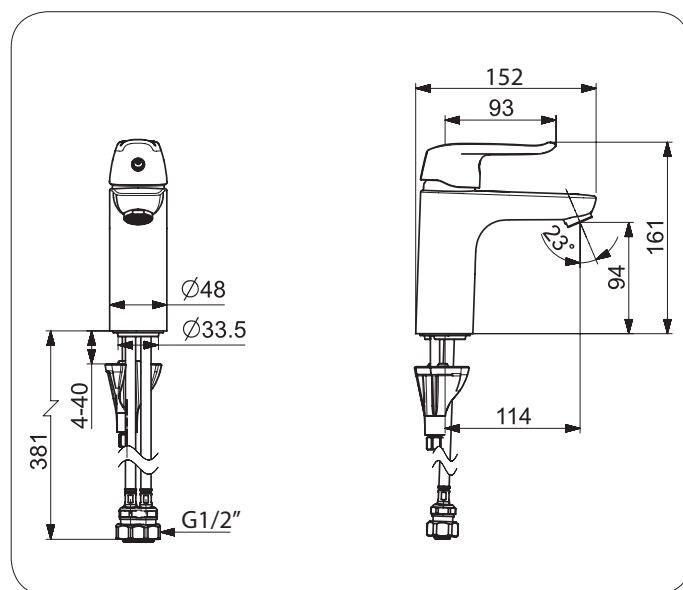
Inlet Connection	15mm (1/2" BSP)
Static Inlet Pressure*	50-1000 kPa Maximum 1600kPa for testing purposes only
Recommended Working Pressure*	50-500 kPa (In accordance with AS/NZ3500) Hot and cold water inlet pressures should be balanced
Operating Temperature Range	0-80°C

*Enware products are to be installed in accordance with the Plumbing Code of Australia and AS/NZS3500.

Reference should also be made to the Australasian Health Facility Guidelines (AHFG), ABCB and Local Government regulations when considering the choice of, and the installation of these products.

NOTE: Enware Australia advises:

1. Due to ongoing Research and Development, specifications may change without notice.
2. Component specifications may change on some export models.
3. Refer to Warranty Statement for warranty details - www.enware.com.au/warranty



Version:Jun20

Call 1300 369 273
www.enware.com.au

Enware Australia Pty Limited
9 Endeavour Rd Caringbah NSW 2229 Australia
Ph: 02 8536 4000 info@enware.com.au

